

STANDARD GAUGE, STEEL CASE MODEL: 1105



Specifications:

Normal size (mm):

40,50,63

Design:

EN 837-1 & ANSI B40.1

Accuracy class:

40,50,63: 2.5

Scale range:

Pressure: 0-0.6 to 400bar

Vacuum: -1bar to 0

Compound: -1 to 24bar

or other equivalent units of pressure or vacuum

Operating temperature:

Ambient: -40+70 deg C

Medium: +70 deg C

Protection class: IP 43

Pressure limitation

Steady: 3/4 x full scale value

Fluctuation: 2/3 x full scale value

Short time: full scale value

Applications:

- Gaseous and liquid media.

EC conformity:

- **Pressure equipment directive**
97/23/EC, PS > 200 bar, module A

Material:

Case: Black steel

Window: snap on acrylic

Dial plate: Aluminum, pointer stop, white background. Black marking for single scale, black and red for dual scale.

Pointer: Black aluminum

Bourdon tube: Copper alloy

<100bar: C shape

≥100bar: Coiled type

Connection: Brass

Movement: Brass

No blow-out back

Connection: standard version

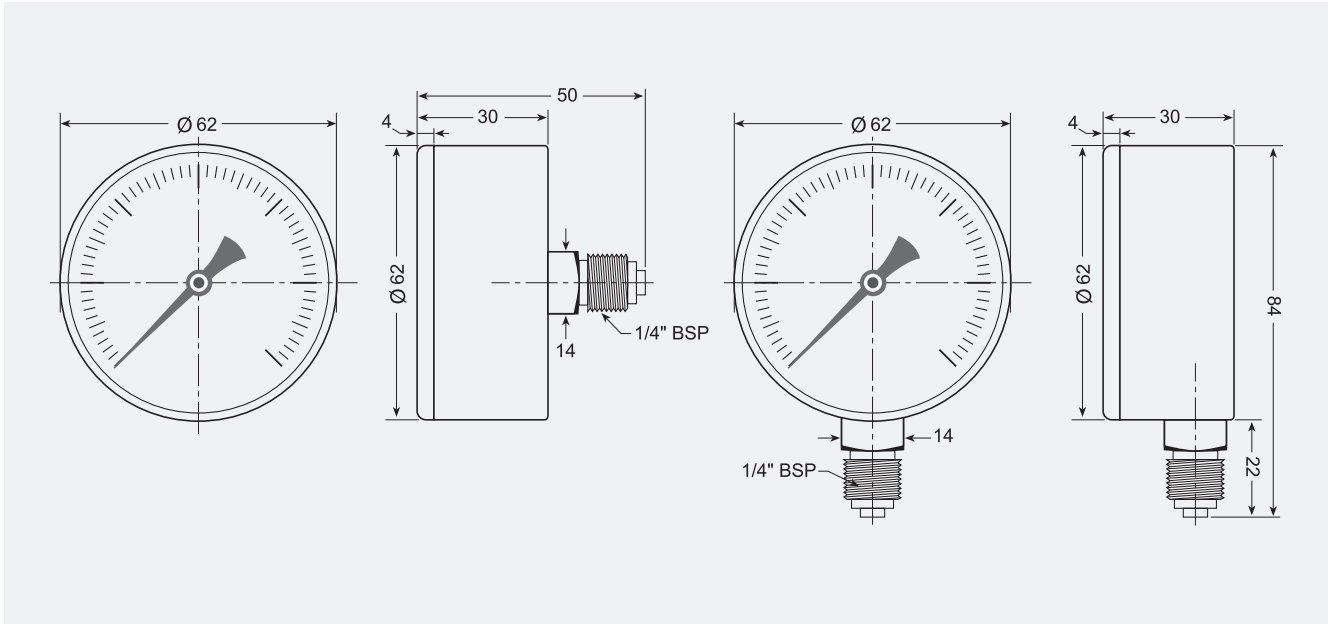
40,50mm: 1/8"BSP

63mm: 1/4"BSP

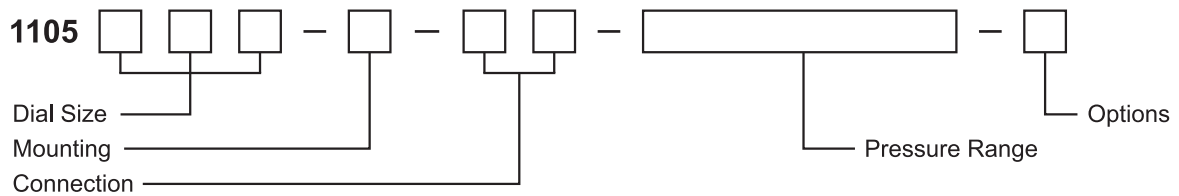
Options:

- NPT, BSP, BSPT, metric or other process connection
- Restrictor (RS)
- Double dial range or other dial ranges
- Special face design

Dimension drawing:



How to order:



Code Dial Size
 040 40mm (1.5")
 050 50mm (2")
 063 63mm (2.5")

Code Mounting
 1 Bottom Connection
 2 Back Connection

Code Connection
 1 1/8"
 2 1/4"
 1 NPT
 2 BSP
 3 BSPT

Options
 See options