

STANDARD GAUGE, STEEL CASE MODEL: 1106



Specifications:

Normal size (mm):

40, 50, 63

Design:

EN 837-1 & ANSI B40.1

Accuracy class:

40,50,63: 2.5

Scale range:

Pressure: 0-0.6 to 400bar

Vacuum: -1bar to 0

Compound: -1 to 24bar

or other equivalent units of pressure or vacuum

Operating temperature:

Ambient: -40+70 deg C

Medium: +70 deg C

Protection class: IP 43

Pressure limitation

Steady: 3/4 x full scale value

Fluctuation: 2/3 x full scale value

Short time: full scale value

Applications:

- Gaseous and liquid media.

EC conformity:

- **Pressure equipment directive**
97/23/EC, PS > 200 bar, module A

Material:

Case: Black steel

Window: snap on acrylic

Dial plate: Aluminum, pointer stop, white background. Black marking for single scale, black and red for dual scale.

Pointer: Black aluminum

Bourdon tube: Copper alloy

<100bar: C shape

≥100bar: Coiled type

Connection: Brass

Movement: Brass

No blow-out back

With red memory pointer

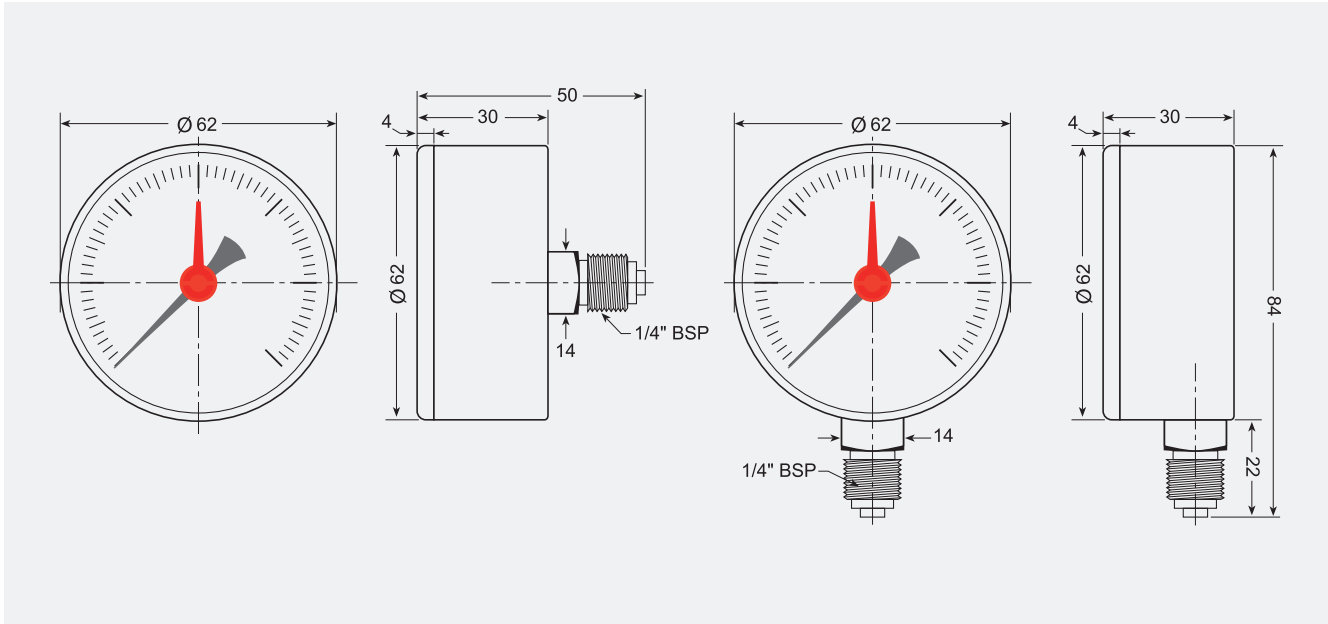
Connection: standard version

63mm: 1/4"BSP

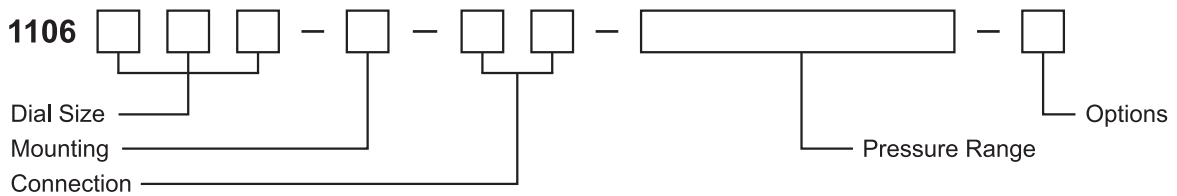
Options:

- NPT, BSPT, metric or other process connection
- Restrictor (RS)
- Double dial range or other dial ranges
- Special face design

Dimension drawing(100mm bottom):



How to order:



- Code Dial Size**
- 040 40mm (1.5")
 - 050 50mm (2")
 - 063 63mm (2.5")

- Code Mounting**
- 1 Bottom Connection
 - 2 Back Connection

- Code Connection**
- 2 1/4"
 - 1 NPT
 - 2 BSP
 - 3 BSPT

Options
See options

- Code Dial Size**
- 040 40mm (1.5")
 - 050 40mm (2")
 - 063 63mm (2.5")