

**MODEL: 1113**



**Applications:**

For equipment and plants welding, cutting and allied processes

**Specification:**

**Design:**ISO5171

**Normal size in mm:**50,68

**Process connection:**

Copper alloy, lower mount (LM), with restrictor

1/4"(50mm,68mm)

**Accuracy class :**2.5

**Scale ranges:**

Welding engineering standard ranges for oxygen and acetylene to ISO5171, as well as 0...1 to 0...400bar to EN837-1

**Pressure limitation:**

Steady: 3/4 x full scale value

Fluctuating: 2/3 x full scale value

Short time: Full scale value

**Permissible temperature:**

Ambinet: -20..+60°C

Medium: +60°C maximum

**Material specification:**

Case: Gold painted steel case

Window: screw on polycarbonate

Wetted: copper alloy bourden tube and brass connection

Movement: brass

Dial : Aluminum, white, with pointer stop pin

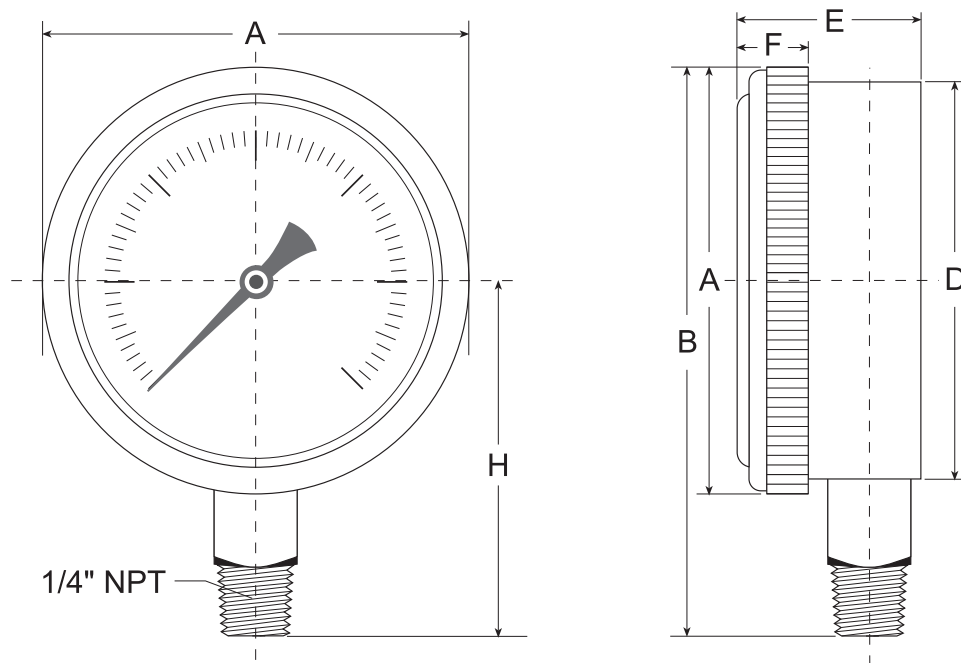
Pointer: Aluminum

Dimension in mm

Standard version

Lower mount (LM)

## Dimension drawing



DIAL SIZE	A	B	H	D	E	F
2.75"	∅ 72	96	60	67.5	30.5	11
2"	∅ 57	78	49.5	52.5	28	9