

1120 SERIES INDUSTRIAL HEAVY DUTY PRESSURE GAUGE MODEL:1120



Applications:

1120 series standard gauge is for use in quality industry and suitable for gases and liquids that do not attack the brass measuring system.

It has a stronger housing and longer life.

Specifications:

Nominal sizes:

4", 6"

Connection:

BSP 1/2" for 4", 6"

Scale Range, according to EN 837-1/5

Pressure ranges: 0 to 0.6/1/1.6/2.5/4/6/10/16/25/40/60/100/160/250/400 bar

Vacuum range: -1 to 0 bar

Compound pressure: -1 to 0.6/1.5/3/5/9/15/24 bar

Operating Temperature:

Ambient: -40°C to 60°C, medium: 60°C maximum

Material Specification:

Case: black steel case and bayonet bezel Window: instrument glass

Wetted parts: copper alloy bourdon tube and brass connection,

Movement: brass

Options:

NPT, BSPT or other process connection

Restrictor

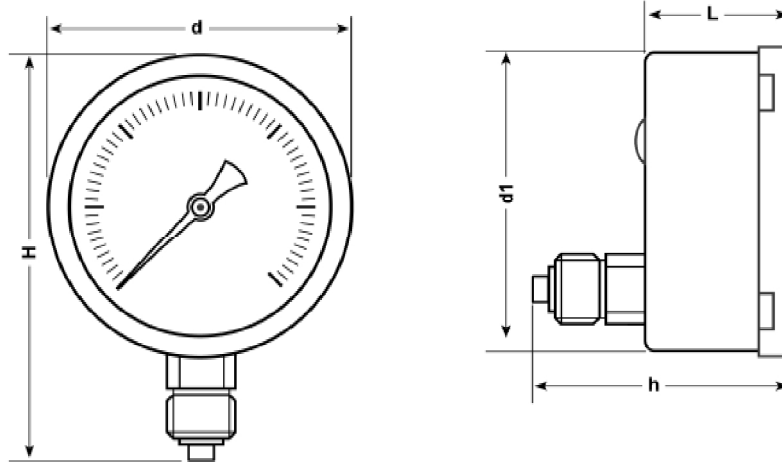
Oil and grease free for oxygen

Double dial range or other dial ranges

Acrylic Window

Chrome plated steel case, stainless steel case,

DIMENSION:



DIAL SIZE	d	d1	L	H	h
4"	Ø101	99	50	138	85
6"	Ø161	159	50	200	85

dimensions are approximate and can be changed without prior notice