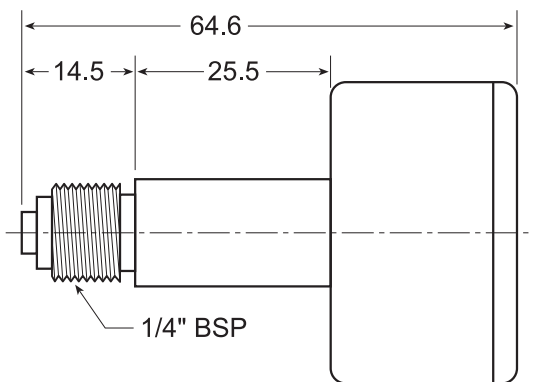
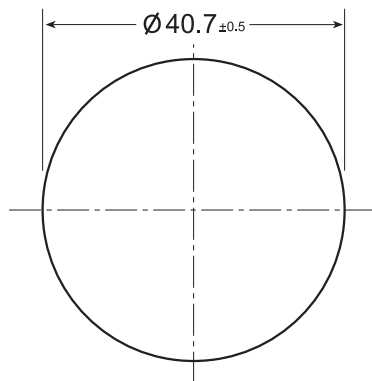
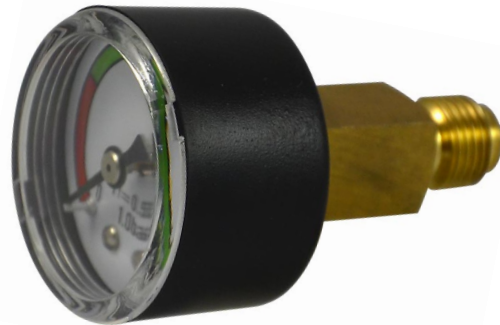


# DRY PRESSURE GAUGE

MODEL:1130



## Applications:

1130 series dry gauges are designed for media that does not attack the brass measuring system. Typical use including water, air use, air compressor, water pump, regulator, HVAC etc.

## Specifications:

**Conforms to EN 837-1 standard**

**Dial size:** 1-1/2"

**Connection:** 1/4" BSP, Center back

**Scale range:** 0-1bar, 0-0.6bar

## Operating temperature:

**Ambient:** -20+60 deg C, Media: 60 deg C maximum

**Accuracy:** +/-2.5% FSD

## Material Specification:

**Case:** ABS case

**Window:** Snap on acrylic lens

**Wetted parts:** Copper alloy bourdon tube, Brass connection

**Movement:** Brass

**Dial plate:** Aluminum with pointer stop at zero and full scale

**Pointer:** DIN style aluminum pointer