

1150 SERIES AMMONIA PRESSURE GAUGE MODEL:1150



Applications:

1150 series ammonia pressure gauge is a economic gauge designed for ammonia gas (NH₃) service.

Specifications:

Nominal sizes:

2.5"

Connection:

BSP 1/4" for 2.5"

Scale Range:

0-4bar, 0-28bar etc with temperature scales

Operating Temperature:

Ambient: -20°C..+70°C

Medium: +70°C maximum

Material Specification:

Case : black steel case and bezel Window: instrument glass

Wetted parts: 304 stainless steel bourdon tube and chrome plated steel or stainless steel connection,

Movement: 304 stainless steel

Options:

NPT, BSPT or other process connection

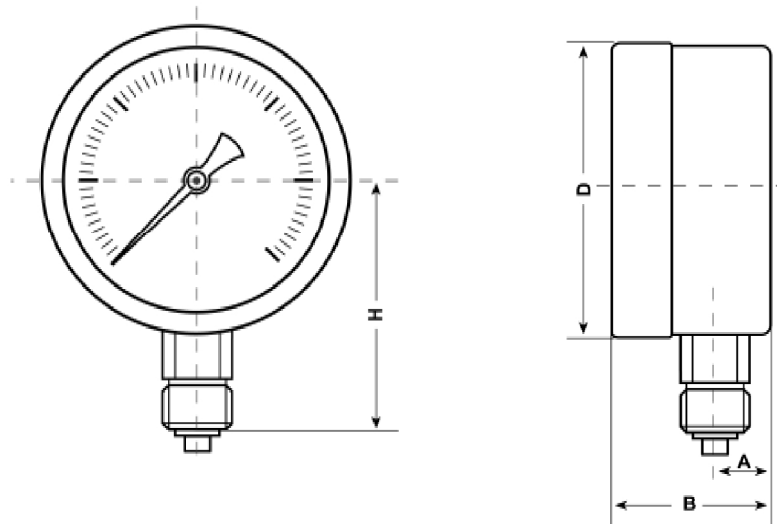
Restrictor

Double dial range or other dial ranges

Temperature

Option: use H3 type gauge as option

DIMENSION:



DIAL SIZE	D	B	A	H
2.5"	Ø63.5	28	10	52

dimensions are approximate and can be changed without prior notice