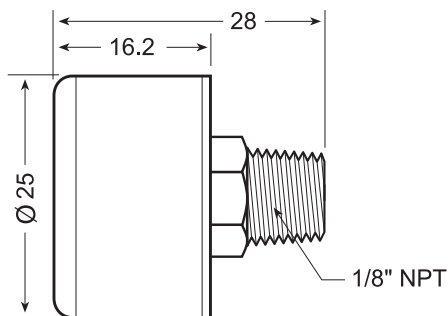
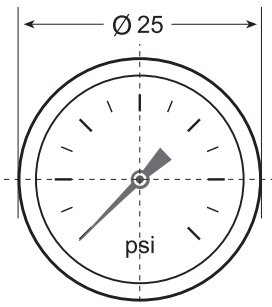


MINI PRESSURE GAUGE

MODEL: 1180



Application:

Suitable for pumps, portable compressors, industrial machinery, hydraulic and pneumatic systems, instrument, and pressurized vessels.

Operating Temperature:

Ambient: -40+60 deg C, medium: 60 deg C maximum

Specification:

Dial size: 1" (25mm)

Case: Brass base, ABS case

Cover: Polycarbonate

Dial and pointer: Aluminum

Tube: Copper alloy

Movement and connection: Brass

Entry: Center back entry, 1/8"NPT

Range: 0-100psi

Accuracy: +/-4%