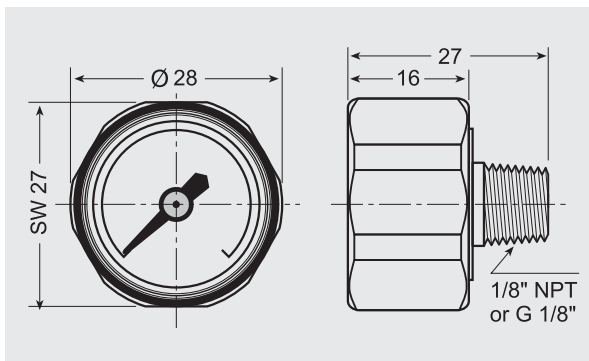
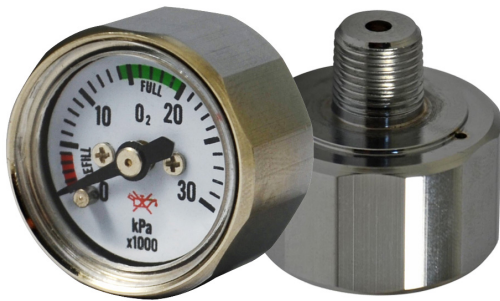


Miniature Bourdon tube pressure gauge Back mount, standard version Model 1183



Description

Nominal size in mm 27

Accuracy class 4.0

Scale ranges

Low pressure: 0 ... 1 to 0 ... 25 bar

High pressure: 0 ... 100 to 0 ... 400 bar
or all other equivalent pressure ranges

Pressure limitation

Steady: 3/4 x full scale value

Fluctuating: 2/3 x full scale value

Short time: Full scale value

Permissible temperature

Ambient: -20 ... +60°C

Medium: +60°C maximum

Temperature effect

When the temperature of the measuring system deviates

from the reference temperature (+20°C):
max. $\pm 0.4\%$ /10 K of the span

Standard version

Process connection

Copper alloy, centre back mount (CBM)

1/8" NPT or G 1/8"

Pressure element Copper alloy

Movement Copper alloy

Dial Aluminum, white, with pointer stop pin, black lettering

Pointer Aluminum, black

Case Copper alloy

Window Plastic, crystal-clear, snap-fitted in case

Option

■ Other process connection

■ Accuracy class 2.5

Applications

- For gaseous and liquid media that are not highly viscous or crystallising and will not attack copper alloy parts
- Indication of cylinder charging pressure
- Respiratory protective equipment, sports weapons, welding engineering (compact equipment)
- Medical engineering

Special features

- Small and compact
- Ideal for integration solutions
- Nominal size 27
- Scale ranges up to 0 ... 400 bar