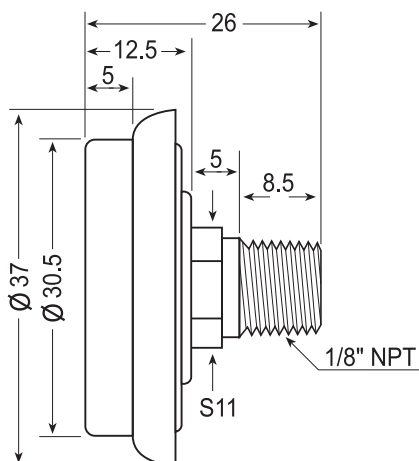
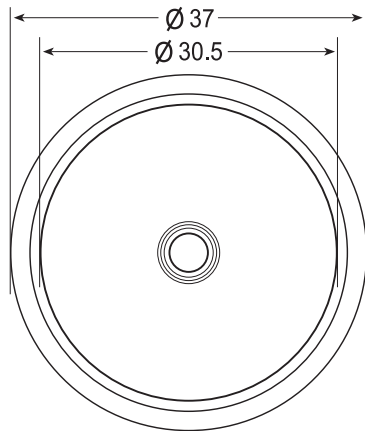


Fire extinguisher gauge, for dry chemical

Model:1187



Applications:

For dry chemical type fire extinguisher use

Specification:

Dial size: 37mm

Case: stainless steel, crimped with window

Window: Polycarbonate clear window

Tube: Spiral tube in copper alloy, laser welded

Connection: Brass, 1/8" NPT center back

Working temperature: -30+60 °C

Dial: Aluminum dial, red background, white marking, green zone

Pointer: aluminum, yellow color,

Accuracy: +/-4%