

1360 SERIES SAFETY GAUGE WITH PHENOLIC CASE MODEL:1360



Applications:

1360 series pressure gauge has solid front phenolic case with excellent resistance to chemical, weather and corrosion attack. It is designed to comply with the safety requirement of EN 837-1, BS1780 and ASME B 40.1.

Specifications:

Nominal sizes:

4.5"

Connection:

BSP/NPT 1/2" for 4.5"

Scale Range, according to EN 837-1/5

Pressure ranges: 0 to 0.6/1/1.6/2.5/4/6/10/16/25/40/60/100/160/250/400/600/1000 bar

Vacuum range: -1 to 0 bar

Compound pressure: -1 to 0.6/1.5/3/5/9/15/24 bar

Operating Temperature:

Ambient: -40°C to 60°C, medium: 60°C maximum

Material Specification:

Case : Black phenolic case

Window: laminated safety glass

Wetted parts: 316 stainless steel tube and connection

Movement: 304 stainless steel

Standard filling: glycerin

Options:

NPT, BSPT or other process connection

Restrictor

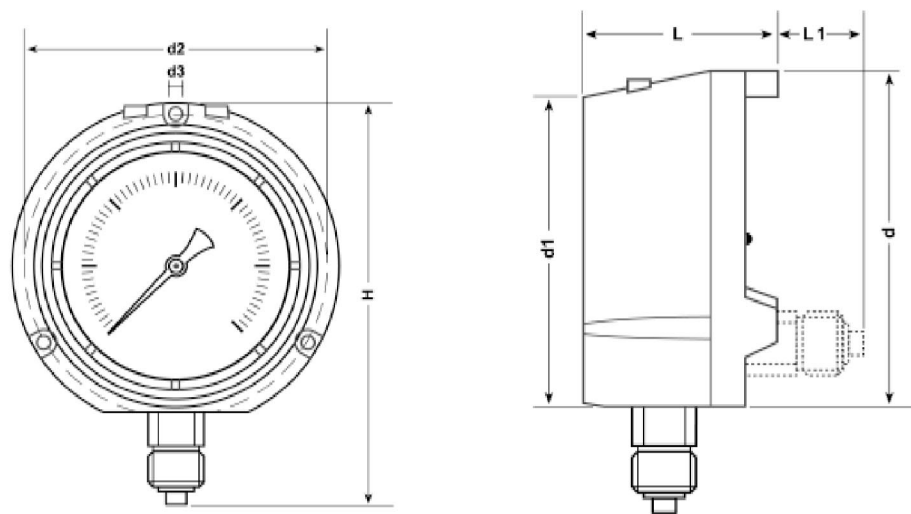
Double dial range or other dial ranges

Silicone oil filling

Brass wetted parts for non-corrosive environment

Accuracy: 0.5%

DIMENSION:



DIAL SIZE	d	d1	d2	d3	L	L1	H
4.5"	142.5	127	136.7	7.6	81	30	179

dimensions are approximate and can be changed without prior notice