

1366 SERIES SAFETY GAUGE IN ALL STAINLESS STEEL PATTERN MODEL:1366



Applications:

1366 series pressure gauge has solid front stainless steel case with increased safety requirements. It has liquid filled case for applications with high dynamic pressure pulsations or vibrations. It is suitable for corrosive environments and gaseous or liquid media that will not obstruct the pressure system. It can be used for the process industries, such as chemical/petro-chemical, power stations, mining, mechanical engineering and plant construction.

Specifications:

Nominal sizes:

2.5", 4", 6"

Connection:

BSP/NPT 1/4" for 2.5"; BSP/NPT 1/2" for 4", 6"

Scale Range, according to EN 837-1, BS 1780, ASME B40.1

Pressure ranges: 0 to 0.6/1/1.6/2.5/4/6/10/16/25/40/60/100/160/250/400/600/1000 bar

Vacuum range: -1 to 0 bar

Compound pressure: -1 to 0.6/1.5/3/5/9/15/24 bar

Operating Temperature:

Ambient: -40°C to 60°C, medium: 100°C maximum

Material Specification:

Case : 304 stainless steel case and DIN bayonet ring,

Window: laminated safety glass

Wetted parts: 316 stainless steel tube and connection

Movement: 304 stainless steel

Standard filling: glycerin

Temperature drift: 0.36 %FS/10K (reference temperature: 20deg C)

Options:

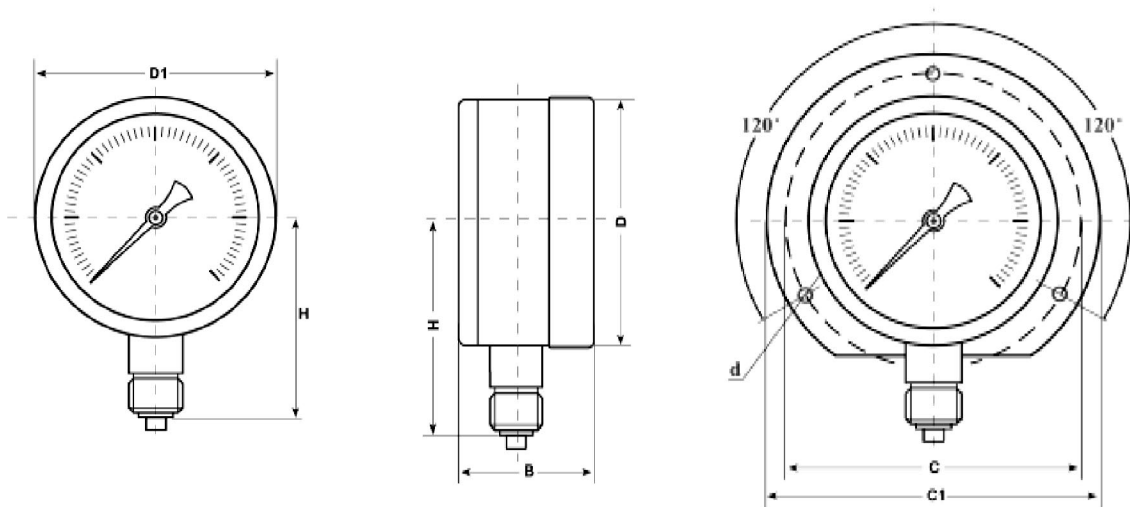
NPT, BSPT or other process connection

Restrictor

Double dial range or other dial ranges

Silicone oil filling

DIMENSION:



DIAL SIZE	D	D1	H	B	C	C1	d
2.5"	63	64	57	40	Ø77	Ø85	Ø3.5
4"	99	101	83	50	Ø118.5	Ø128	Ø5
6"	159	161	124	50	Ø161	Ø181	Ø5

dimensions are approximate and can be changed without prior notice