

## **1400 SERIES CAPSULE LOW PRESSURE GAUGE MODEL:1400**



### **Application:**

1400 series capsule low pressure gauge is suitable for dry and gaseous media that does not attack copper alloy parts. It is mainly used for medical, vacuum, laboratory technology for contents measurement and filter monitoring.

### **Specifications:**

#### **Nominal sizes:**

2.5", 3.5", 4.5"

#### **Connection:**

BSP 1/4" for 2.5", 3.5", 4.5"

#### **Scale Range, according to EN 837-1/5**

Pressure ranges: 0 to 16/25/40/60/100/160/250/400/600/1000mbar

Vacuum range: -600/-400/-250/-160/-100/-60/-40/-25/-16/ to 0 mbar

#### **Operating Temperature:**

Ambient: -20°C..+60°C

Medium: +60°C maximum

#### **Material Specification:**

Case & window : 2.5", 3.5" with black steel case and screw on acrylic window

4.5" with black steel case and bezel, instrument glass window

Wetted parts: copper capsule, brass connection

Movement: brass

**Options:**

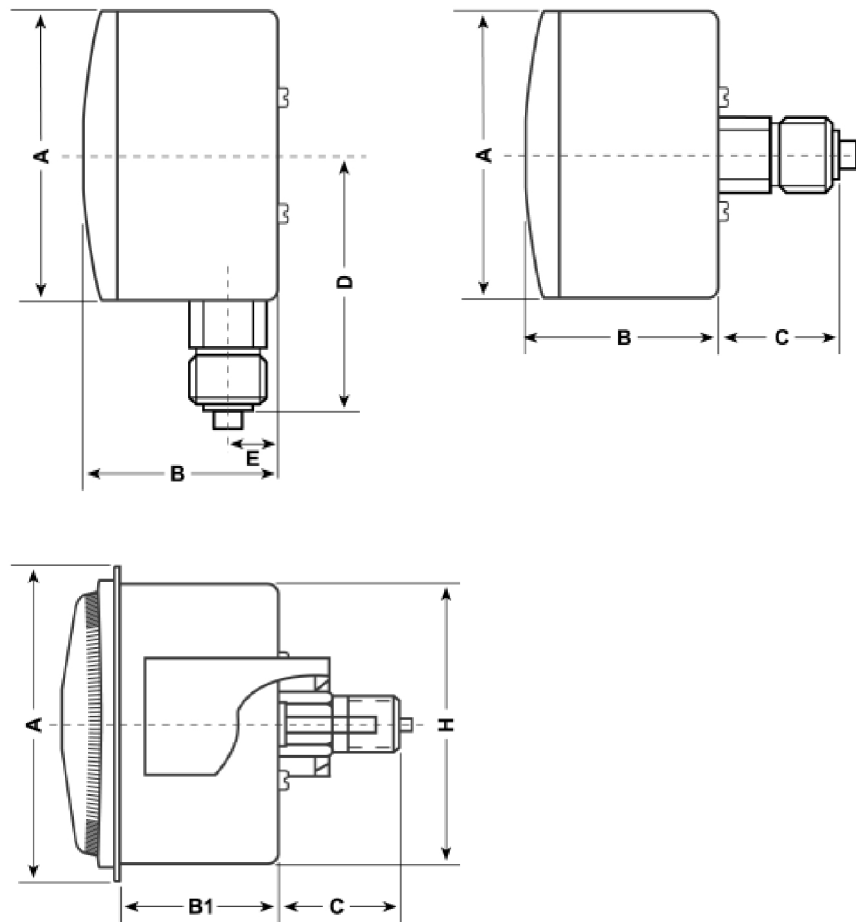
NPT, BSPT or other process connection

Restrictor

Double dial range or other dial ranges

304 Stainless steel case

**DIMENSION:**



DIAL SIZE	A	B	B1	C	D	H	E
2.5"	∅ 66.8	38	32	21	55.6	67.5	9.6
3.5"	∅ 93.7	40	43	21	69	93	9.6
4.5"	∅ 121.5	37.3	--	--	85.8	--	20.5

dimensions are approximate and can be changed without prior notice