

1410 SERIES ALL STAINLESS STEEL CAPSULE LOW PRESSURE GAUGE MODEL:1410



Application

1410 series capsule low pressure gauge is suitable for dry, corrosive environments and gaseous media.

Specifications:

Nominal sizes:

4", 6"

Accuracy:

4", 6" : +/- 1.6%

Connection:

BSP 1/2" for 4", 6"

Scale Range, according to EN 837-1/5

Pressure ranges: 0 to 6/10/16/25/40/60/100/160/250/400/600/1000mbar

Vacuum range: -600/-400/-250/-160/-100/-60/-40/-25/-16/-10/-6 to 0 mbar

Operating Temperature:

Ambient: -20°C..+60°C

Medium: +100°C maximum

Material Specification:

Case and DIN bayonet ring: AISI 304 stainless steel Window: Instrument Glass

Wetted parts: AISI 316 stainless steel

Movement: AISI 304 stainless steel or chrome plated brass

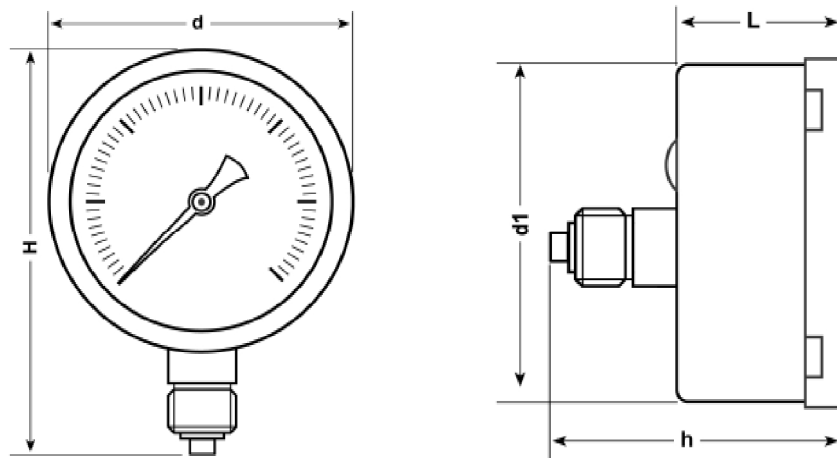
Options:

NPT, BSPT or other process connection

Restrictor

Double dial range or other dial ranges

DIMENSION:



DIAL SIZE	d	d1	L	H	h
4"	Ø101	99	50	138	85
6"	Ø161	159	50	200	85

dimensions are approximate and can be changed without prior notice