

1600 SERIES DIFFERENTIAL PRESSURE GAUGE WITH BOURDON TUBE MODEL:1600



Applications:

1600 series differential pressure gauge has double bourdon tubes which is designed to measure the pressure difference between two pressures.

Specifications:

Nominal sizes:

4"

Connection:

BSP 1/2" for 4"

Scale Range, according to EN 837-1/5

Pressure ranges: 0 to 1.6/2.5/4/6/10/16/25/40/60 bar

Operating Temperature:

Ambient: -20°C to 60°C, medium: 60°C maximum

Material Specification:

Case : Black case and friction ring

Window: instrument glass

Wetted parts: brass bourdon tube and connection

Movement: brass

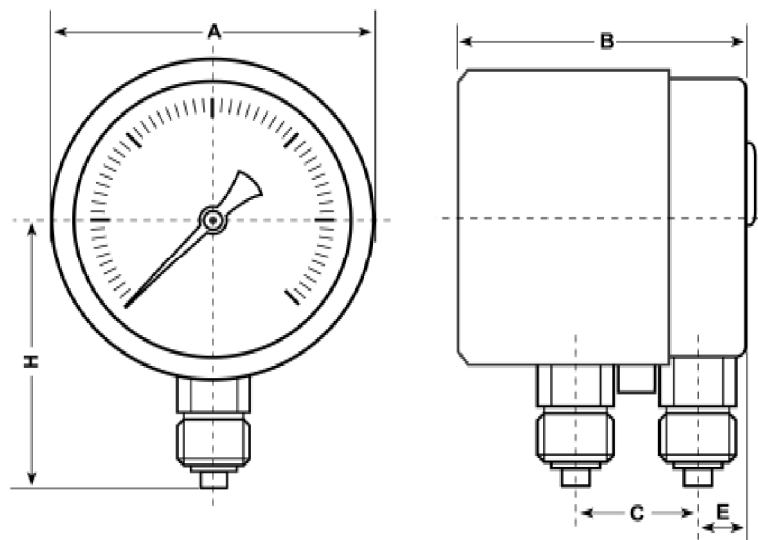
Options:

NPT, BSPT or other process connection

Non-standard dial range

***1601 series with stainless steel case and friction ring**

DIMENSION:



DIAL SIZE	A	B	H	C	E
4"	Ø102	80	95	32	16

dimensions are approximate and can be changed without prior notice