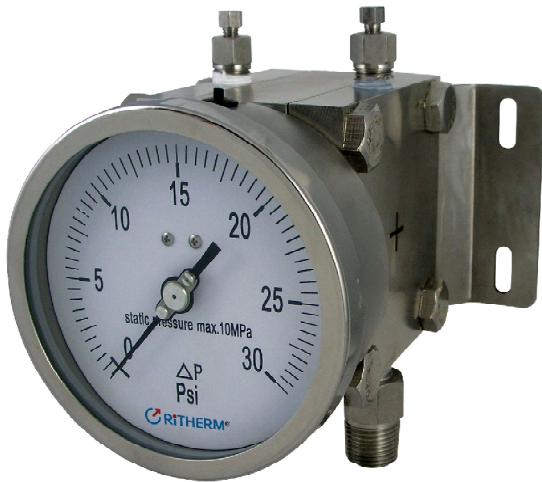


## **1620 SERIES ALL STAINLESS STEEL DIFFERENTIAL PRESSURE GAUGE MODEL:1620**



### **Applications:**

1620 series differential pressure gauge has double bourdon tubes which is designed to measure the pressure difference between two pressures.

### **Specifications:**

#### **Nominal sizes:**

4" , 6"

#### **Connection:**

BSP 1/2" for 4" , 6"

### **Scale Range, according to EN 837-1/5**

Pressure ranges: 0 to 1.6/2.5/4/6/10/16/25/40/60 bar

Static pressure: up to 100bar

### **Operating Temperature:**

Ambient: -20°C to 60°C, medium: 100°C maximum

### **Material Specification:**

Case : 304 stainless steel case and bayonet ring

Window: instrument glass

Wetted parts: 316 stainless steel bourdon tube and connection

Movement: 304 stainless steel

### **Options:**

NPT, BSPT or other process connection

Non-standard dial range

Diaphragm seals  
 Electric contact  
 Transducer  
 Maximum pointer  
 Special material

**DIMENSION:**

Table 1620-A

Model	ON	A	B	C	D	E	F	G	I
1620-A	100	103	150	112	100	22	1/4	118	54
	150	150	150	112	100	22	1/4	166	54

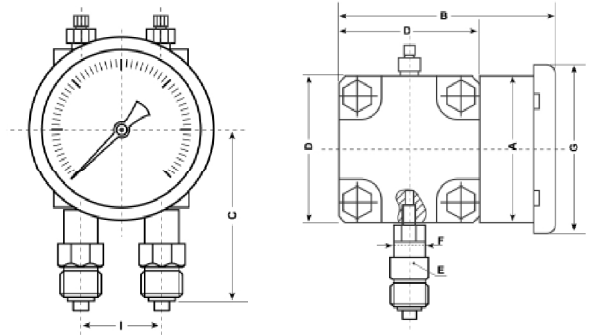


Table 1620-B

Model	ON	A	B	C	D	E	F	G	I
1620-B	100	103	150	112	100	22	1/4	118	54
	150	150	150	112	100	22	1/4	166	54

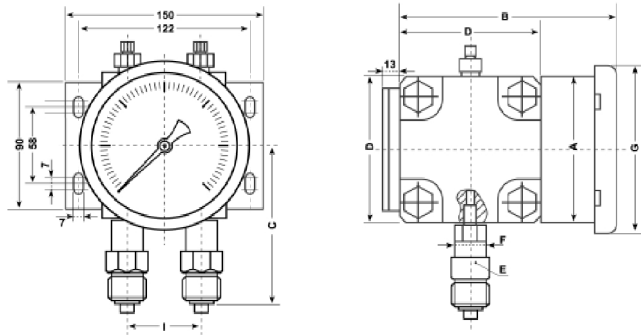


Table 1620-C

Model	ON	A	B	C	D	E	F	G	H	I	L	M	N
1620-C	100	103	150	112	100	22	1/4	118	7	54	126	140	27
	150	150	150	112	100	22	1/4	166	7	54	178	192	27

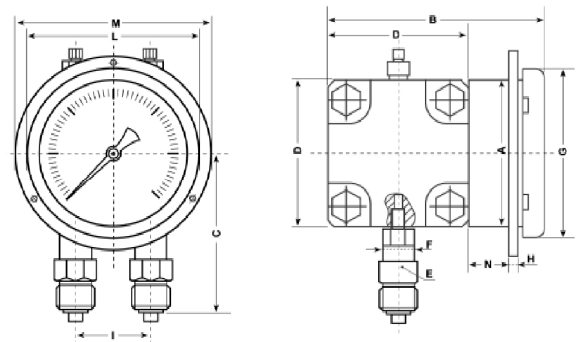


Table 1620-D

Model	ON	A	B	C	D	E	F	G	I
1620-D	100	103	150	112	100	22	1/4	118	54
	150	150	150	112	100	22	1/4	166	54

