

## **1713 SERIES MAGNETIC SNAP-ON CONTACT PRESSURE GAUGE MODEL:1713**



### **Applications:**

1713 series magnetic snap on gauge is designed for automatic control and signals transfer. When the pressure gets to the set value, the contact opens/closes the circuits. ED series is suitable for harsh and corrosive environment.

### **Specifications:**

#### **Nominal sizes:**

4", 6"

#### **Connection:**

BSP 1/2" for 4", 6"

Protection class: IP 54 or IP65 (for liquid filled 1714 series)

### **Scale Range, according to EN 837-1/5**

Pressure ranges: 0 to 0.6/1/1.6/2.5/4/6/10/16/25/40/60/100/160/250/400/600/1000 bar

Vacuum range: -1 to 0 bar

Compound pressure: -1 to 0.6/1.5/3/5/9/15/24 bar

### **Operating Temperature:**

Ambient: -20°C to 60°C, medium: 100°C maximum

### **Material Specification:**

Case : 304 stainless steel case and DIN bayonet ring Window: instrument glass

Wetted parts: 316 stainless steel bourdon tube and connection, TIG welding

Movement: 304 stainless steel

Contacts: Two contacts, one contact, Often open, often close

Maximum working voltage: AC380V or DC220V

Maximum current: 1A

Contact Power: 30VA

**Options:**

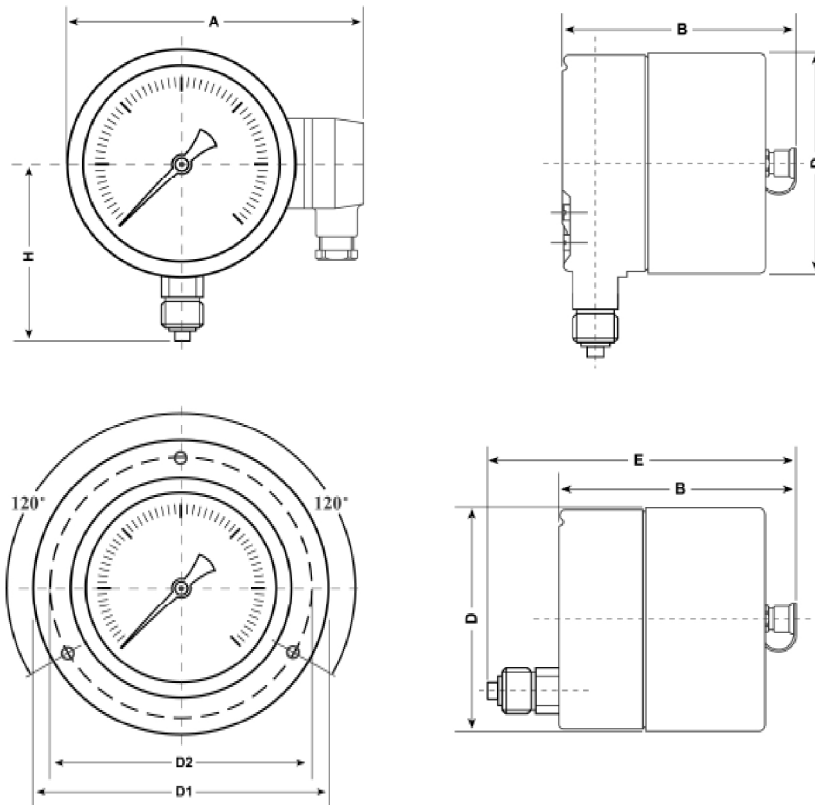
NPT, BSPT or other process connection

Non-standard dial range

Diaphragm seal in thread or flange end

**\*1714 Series: Special Silicone oil filled**

**DIMENSION:**



DIAL SIZE	A	B	D	H	D1	D2	E
4"	142	104	101.5	88	∅132	∅116	143
6"	193	98	161	125	∅178	∅166	150

dimensions are approximate and can be changed without prior notice