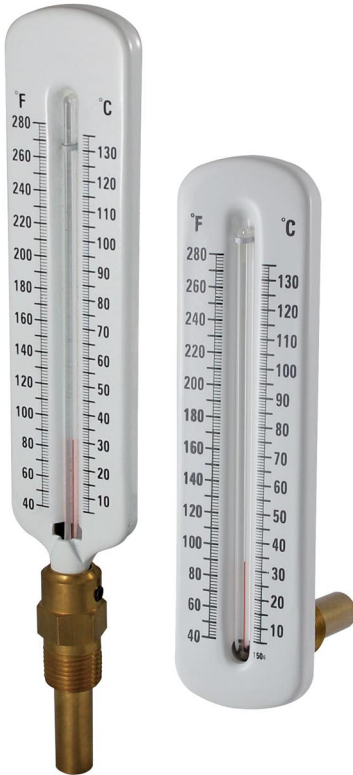


2110 HOT WATER THERMOMETER MODEL:2110



Applications:

2110 is durable, economical and readable thermometer, mainly used in general hydronic applications such as chilled and hot water lines and all small piping networks, especially fits for environment full of vibration.

Specifications:

Casing: White steel painted

Length: 8"

Glass inserts, capillary:

Prismatic capillary, filled with red organic liquid.

Immersion Tubes, Pockets, 1/2"NPT male

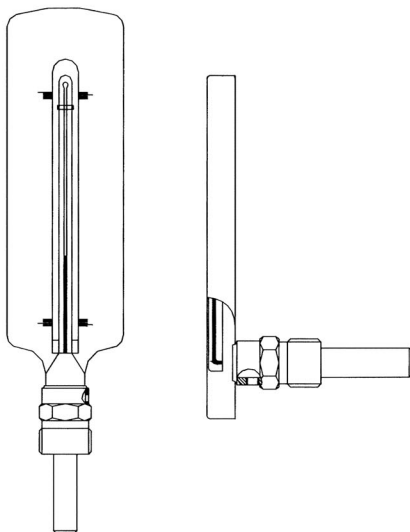
Brass as standard

Length: 45-80mm, fixed with nut

Diameter: 12mm as standard,

Form: Straight form, 90° angled form,

Ranges: -40/+11/+20/+120/+20/+180/+30/+240/
+30/+300°F/°C



Options:

BSP thread, 3/4"

Dimensions: