

# Bimetal thermometer

**Application:** 2300 Series bimetal thermometers are designed for light industry, HVAC use, especially for refrigeration and hot water.

## Model: 2300

### Specification:

**Dial size:** 34, 43, 63, 80, 100mm

**Case:** Zinc plated steel

**Bezel:** Stainless Steel

**Window:** Glass

**Bulb:** Copper alloy, adjustable at end

**Pocket:** Brass, friction at axial of thermometer case, fixing by screw for option

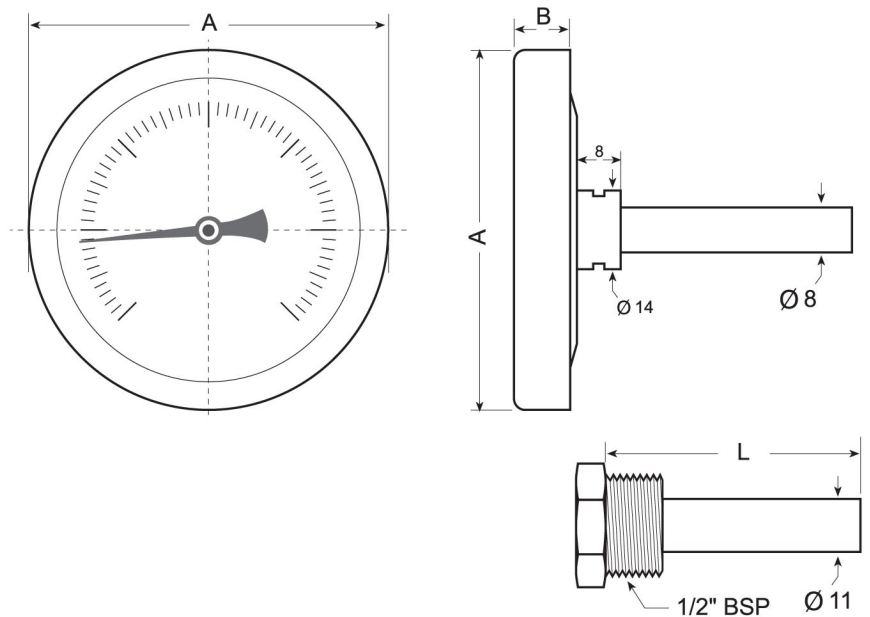
**Pocket length including thread:** 30, 40, 50, 63, 100, 150mm etc

**Connection:** 1/2" BSP center back

**Temperature sensor:** bimetal coil

**Range:** -40+40 deg C, -30+50 deg C, -20+60 deg C, 0-120 deg C, high temperature up to 600 deg C for option in Stainless Steel bulb and pocket for option

**Accuracy:** 2% of full scale



unit:mm

Dial	A	B	L
40	40	9.5	50,63,100,150
63	63.5	10	50,63,100,150
80	80	11	50,63,100,150
100	100	14	50,63,100,150