

2322-A SERIES PROCESS INDUSTRY BIMETAL THERMOMETER MODEL:2322-A



Applications:

2322-A is bimetal thermometer is with all stainless steel construction, which is suitable for corrosive media and environments in chemical process, petroleum and food industry.

Specifications:

Dial size:

2.5", 3", 4", 6"

Temperature element:

Coiled bimetal

Accuracy class: Cl 1,6

Maximum pressure rating of stem : 25bar

Location of stem: lower mount

Case: 304 stainless steel

Connection: 1/2" BSP stainless

Stem: 6mm diameter, stainless steel,

Dial: Aluminum, white with black writing

Pointer: Aluminum, Black

Window: Instrument Glass

Ranges: -30+50/-20+60/0-60/0-80/0-120/0-160/0-200/0-250/0-300/0-400/0-500/0-600°C

Options:

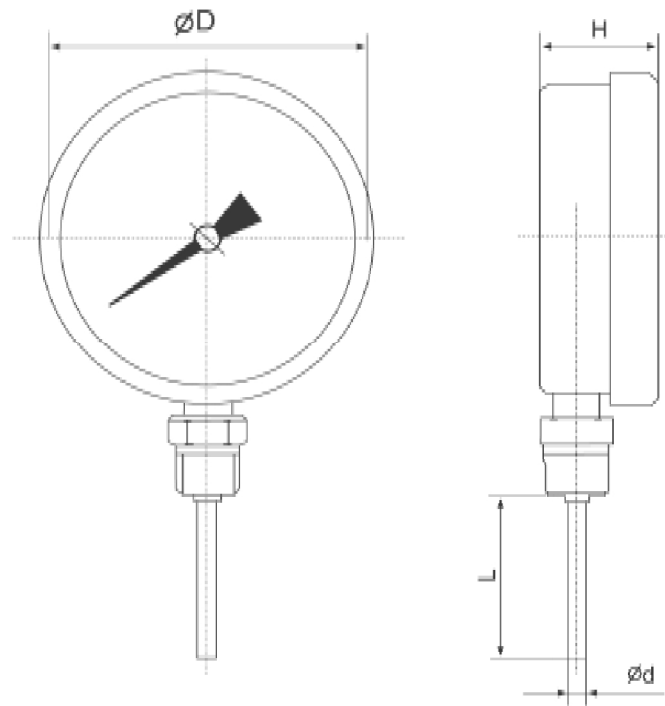
NPT thread, 1/4", 3/8" thread

Slide connection, rotating connection

8 or 10mm stem diameter

Liquid dampening

Dimensions:



DIAL SIZE	D	H	d	L
2.5"	Ø73	43	6~10	1.5"~1.2"
3"	Ø80	43	6~10	1.5"~1.2"
4"	Ø111	48	6~10	1.5"~1.2"
6"	Ø161	50	6~10	1.5"~1.2"