

## 2322-J SERIES PROCESS INDUSTRY BIMETAL THERMOMETER MODEL:2322-J



### Applications:

2322-J is bimetal thermometer is with all stainless steel construction, which is suitable for corrosive media and environments in chemical process, petroleum and food industry.

### Specifications:

#### Dial size:

4", 6"

#### Temperature element:

Coiled bimetal

Accuracy class: Cl 1,6

Maximum pressure rating of stem : 25bar

Location of stem: Every angle

Case: 304 stainless steel

Connection: 1/2" BSP stainless

Stem: 6mm diameter, stainless steel,

Dial: Aluminum, white with black writing

Pointer: Aluminum, Black

Window: Instrument Glass

Zero adjustment: Externally at Back of case (applicable for crimped ring)

Ranges: -30+50/-20+60/0-60/0-80/0-120/0-160/0-200/0-250/0-300/0-400/0-500/0-600°C

**Options:**

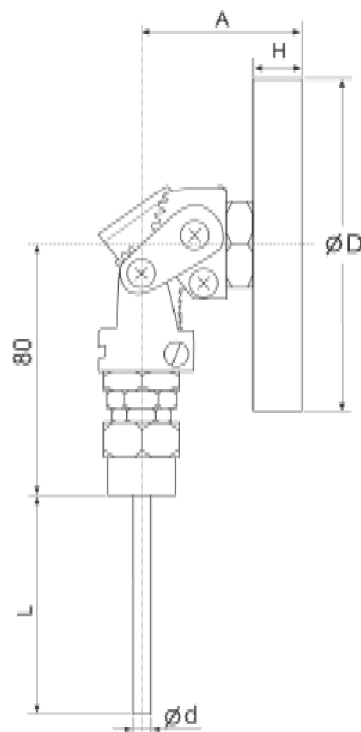
NPT thread, 1/4", 3/8" thread

Slide connection, rotating connection

8 or 10mm stem diameter

Liquid dampening

**Dimensions:**



DIAL SIZE	D	H	A	d	L
4"	$\varnothing 111$	28	68	8~12	1.5"~1.2"
6"	$\varnothing 161$	30	68	8~12	1.5"~1.2"