

# Bimetal thermometer

**Application:** Electric water heater

**Model:** 2365



**Specification:**

**Casing:** Plastic in white, rectangular shape

**Window:** Clear plastic

**Dial:** White plastic, with black numbers

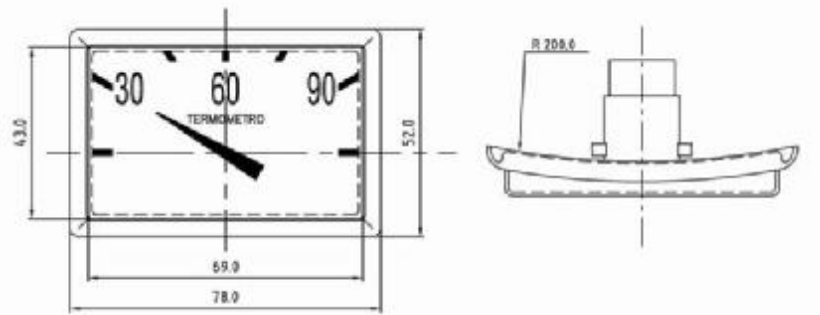
**Pointer:** Red plastic

**Mount:** Back direct mount

**Temperature sensor:** bimetal coil

**Range:** 0-120 deg C, with 30, 60, 90 big numbers

**Bulb:** aluminum, 20 to 50mm length



**Model:** 2365



**Specification:**

**Casing:** Plastic in gray, 72mm

**Window:** Clear plastic

**Dial:** White plastic, with black numbers

**Pointer:** black plastic

**Mount:** Back direct mount

**Temperature sensor:** bimetal coil

**Range:** 0-120 deg C, with 30, 60, 90 big numbers

**Bulb:** aluminum, 20 to 50mm length

