

Water Heater Thermometer

Application: Model 2370 thermometer is specially designed for water heater service. It is snapped into the panel in the water heater.

Model: 2370



Specification:

Dial size: 71mm

Temperature element: Coiled bimetal

Accuracy: 2.5%

Location of stem: Center back

Body: plastic case

Window: Clear acrylic window

Dial: Plastic dial plate, colorful design according to customer's request

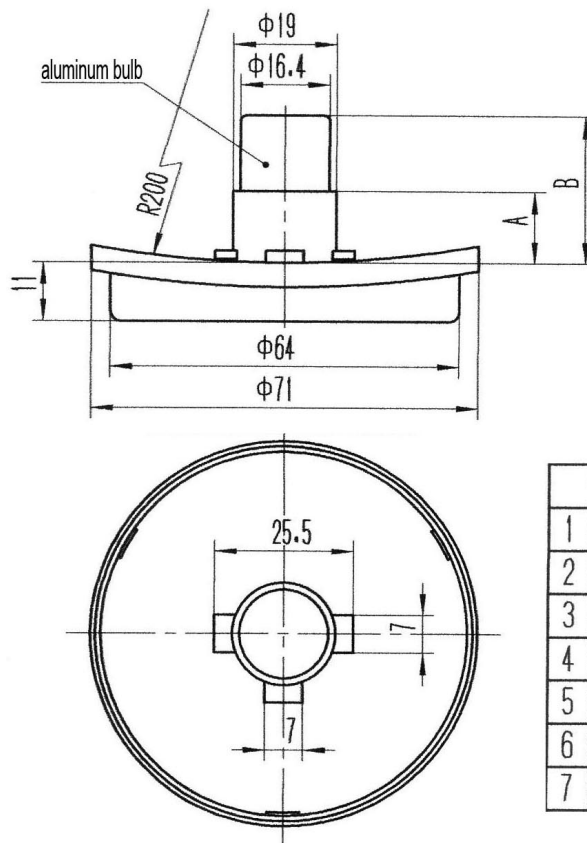
Pointer: Plastic ABS

Bulb: Aluminum bulb, with spring chrome plated loaded

Sponge helps to install thermometer tightly

Range: nominal 30-90 deg C

Dimension drawing:



	A	B	Alu	Spring	case
1	9	20	10	19-20	Heigh 7mm
2		22	12.7	20-21	
3	13	28	15	27-28	Heigh 11mm
4		31	17.5	30-31	
5	16	34	20	33-34	Heigh 14mm
6		39	30	38-39	
7		41	33	40-41	