

2400-B SERIES GAS ACTUATED THERMOMETER MODEL:2400-B



Applications:

2400-B is suitable for corrosive media in the chemical, petrochemical and process engineering industries. Mostly used for plant, machinery, tank, apparatus construction and food industry. Gas actuated thermometers with capillary are used in locations which are not easily accessible and where long distance have to be reached.

Specifications:

Dial size:

4", 6"

Temperature element:

Inert gas expansion system

Ambient temperature: +40°C max

Accuracy class: Cl 1,6

Maximum pressure rating of stem : 25bar

Location of stem: Back mount

Case and bayonet ring: 304 stainless steel

Window: Instrument Glass

Dial: Aluminum, white with black writing

Pointer: Aluminum, Black

Stem: 12mm dia as stem, length 150mm as standard

Connection: 1/2" BSP stainless steel

Capillary: stainless steel capillary with stainless steel armor cover, 3 M length

Rear flange: stainless steel, welded on case

Zero adjustment: Externally at top of case

Ranges: -40+60/-30+50/-20+60/0-60/0-80/0-120/0-160/0-200/0-250/0-300/0-400/0-500/
0-600°C

Options:

NPT thread,

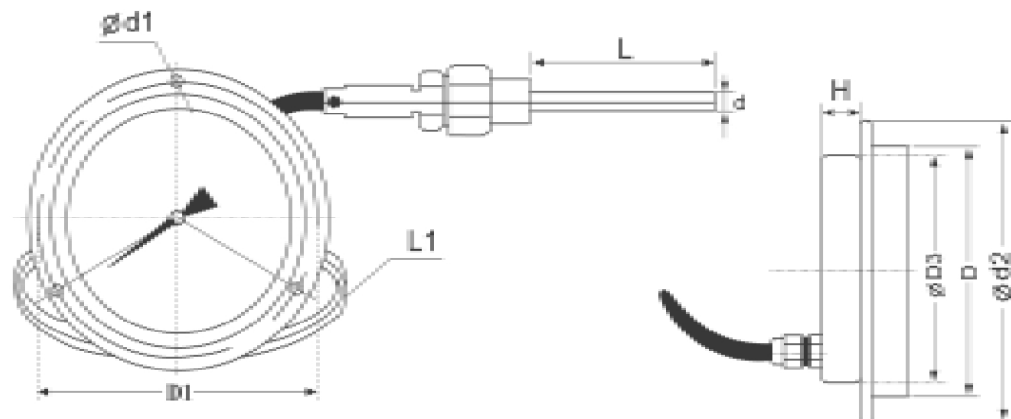
Slide connection, rotating connection

10 or 14mm stem diameter

Liquid dampening

6 M capillary length

Dimensions:



DIAL SIZE	D	D1	D3	H	d1	d2	d	L1	L
4"	Ø111	Ø129	Ø100	16	Ø5	Ø141	10~12	3m	6"~12"
6"	Ø161	Ø175	Ø150	30	Ø5.5	Ø195	10~12	3m	6"~12"