

Thermo-manometer, direct mount

Application: 2720 thermo-manometers are designed for hot water heating system, typically for boiler. They measure water pressure in bar and temperature in deg C.

It has plastic casing. Accuracy 2.5% full scale.

Model: 2720



Specification:

Dial size: 63mm, 80mm, 100mm

Case: Steel case in black finish

Bezel: Steel bezel in black finish or chrome plated finish

Maximum casing withstanding temperature: 70 deg C

Window: acrylic window, reset red pointer installed for option

Dial plate and pointer: Aluminum in black

Bourdon tube: Phosphor copper alloy

Movement: copper alloy, high-sensitivity amplification mechanism

Socket: Brass

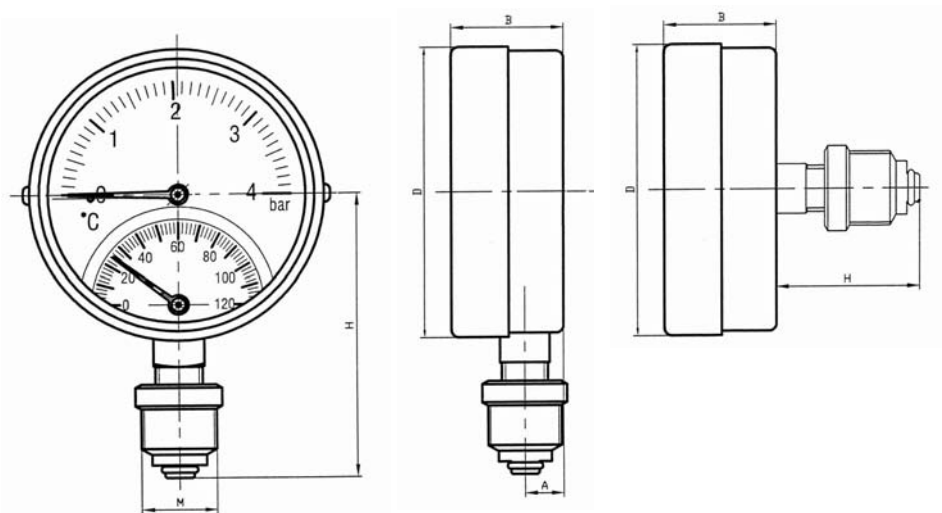
Bulb: Copper alloy

Temperature sensor: bimetal coil

Connection: 1/2" BSP with check valve

Range: Temperature: 0-120 deg C

Pressure: 0-4bar, 0-6bar, 10bar



DIAL SIZE	D	B	H	A	M
80 mm	ø81	29	79	10	1/2 " BSP
80 mm	ø81	29	44	-	1/2 " BSP