

2730 BIMETAL THERMOMANOMETER MODEL:2730



Applications:

2730 is specifically designed for hot water boilers, are two gauges-in-one. They measure water pressure in bar and temperature in °C. The large round dials are easy to read with a pressure accuracy of $\pm 2.5\%$ of full scale and temperature accuracy of $\pm 2\%$ of full scale.

Specifications:

Casing: Black steel case, chrome plated friction ring fixed with screws

Window: Glass

Face and pointer: Aluminum

Temperature element:

Bimetal Coil

Wetted parts: copper tube and connection

Movement: brass

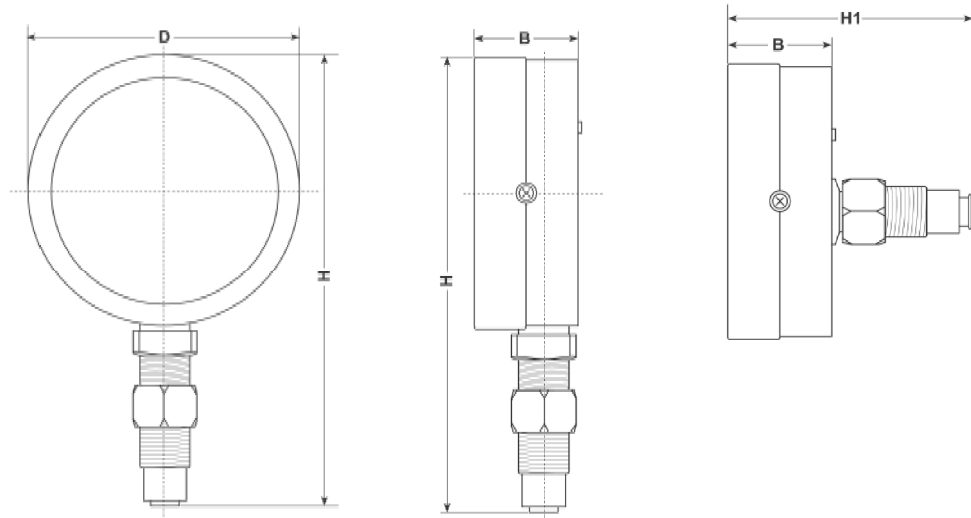
Connection: Lower and back mount

Range:

For pressure: 0-4bar, 6bar, 10bar, 16bar

For temperature: 0-120°C

Dimensions:



DIAL SIZE	D	B	H	H1
80mm	∅80	33	144	87