

Capillary Thermometer

Application: For heating and refrigeration

System: Liquid expansion

Model: CT2460



Specification:

Case: ABS, standard colours black, other colours on request, case dia 63, 80, 100mm

Mounting: Surface mount or Panel mount, flange for surface or panel mount interchangeable

Window: shatterproof clear plastic,

Capillaries: PVC-coated copper; standard lengths 1 - 1,5 metres, other lengths on request.

Bulb: copper

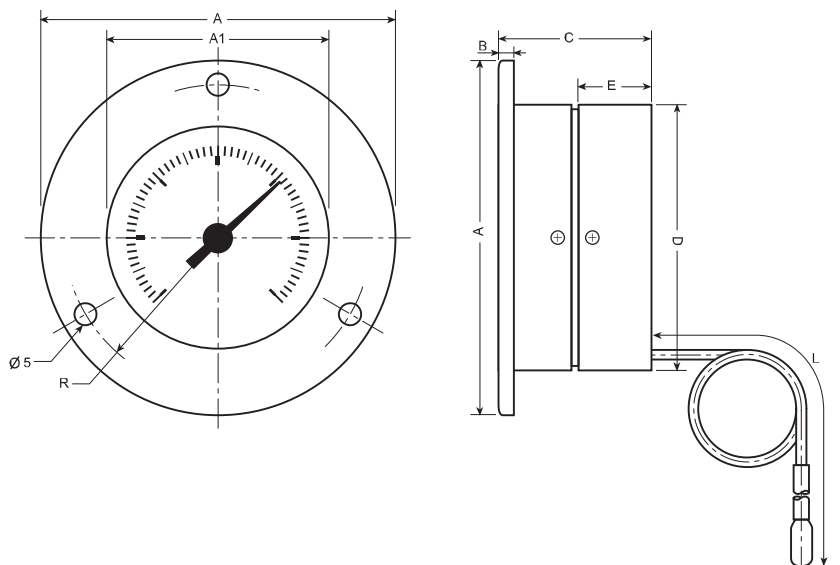
Sensing element: Beryllium spiral tube, adjustable at back

Dial: printed plastic dial. Custom designed dials on request

Pointer: plastic

Scales: 0/120°C for heating, -40/+40°C for refrigeration; other scales on request.

Accuracy: ± 3% of full scale value



unit:mm

Dial	A	A1	B	C	D	E	R	L
63	80	51.5	3.7	34.5	60	16.5	34.5	1-1.5 metres
80	105	69	3.5	36	80	17	46	1-1.5 metres
100	132	95	3	31	103	—	57.5	1-1.5 metres