

DCS301 SERIES SANITARY DIAPHRAGM SEALS, CLAMP SEAL MODEL:DCS301



Applications:

DCS301 is sanitary diaphragm seal. The diaphragm is flush welded to the body construction. It is mostly used in food and beverage industries, food industries, water processings and others where hygienic process condition are required.

Specifications:

Instrument connection:

Capillary, 1/4", 1/2" BSP/NPT female

Process connection:

Clamp

Process temperature: -45+150°C

Filling liquid: Silicone oil, vegetable oil

Pressure range: 0-60bar

Material:

Gasket: Teflon

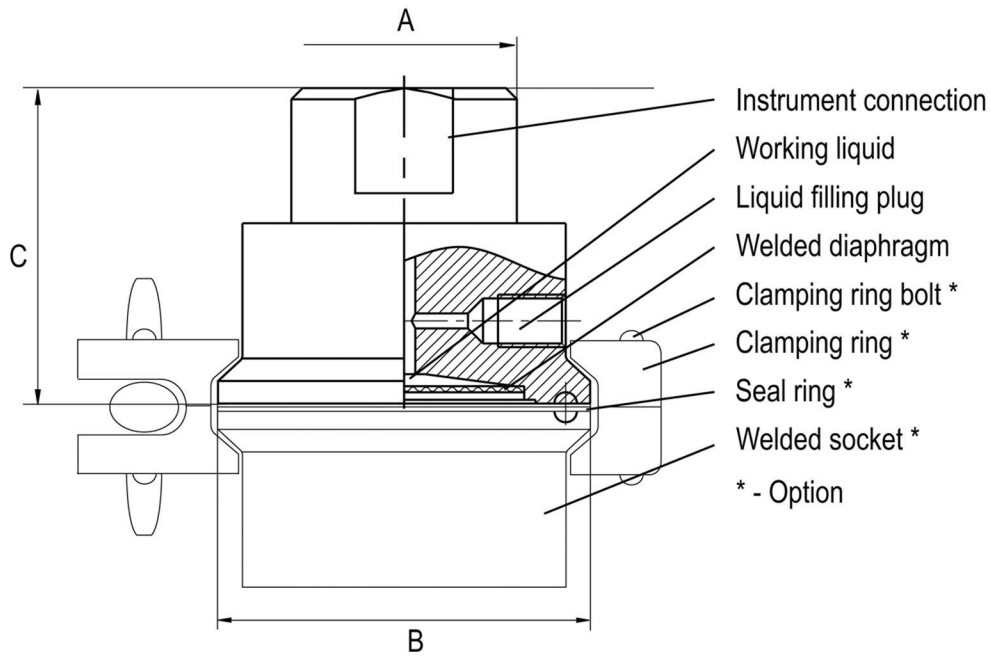
Diaphragm: SS 316L, SS316L PTFE coating, SS316L Teflon lined, HC, TI etc

Body: SS 316, SS304

Instrument connection: SS 316, SS316L

Clamp and lower part: SS 316

DIMENSION:



Technical Dimension and Characteristic

Model	DN (mm)	A	B	C	Weight
DCS 301 (ISO 2852)	1"	G½	50.5	42.5	0.34
	1½"	G½	50.5	42.5	0.40
	2"	G½	64	42.5	0.72
DCS 301 (DIN 32676)	DN25	G½	50.5	42.5	0.34
	DN32	G½	50.5	42.5	0.38
	DN40	G½	50.5	42.5	0.40
	DN50	G½	64	42.5	0.60