

## DCS311 SERIES SANITARY DIAPHRAGM SEALS, UNION NUT MODEL:DCS311



### Applications:

DCS311 is sanitary diaphragm seal. The diaphragm is flush welded to the body construction. It is mostly used in food and beverage industries, food industries, water processings and others where hygienic process condition are required.

### Specifications:

#### Instrument connection:

Capillary, 1/4", 1/2" BSP/NPT female

#### Process connection:

Union nut

Process temperature: -45+150°C

Filling liquid: Silicone oil, vegetable oil

Pressure range: 0-60bar

#### Material:

Diaphragm: SS 316L, SS316L PTFE coating, SS316L Teflon lined, HC, TI etc

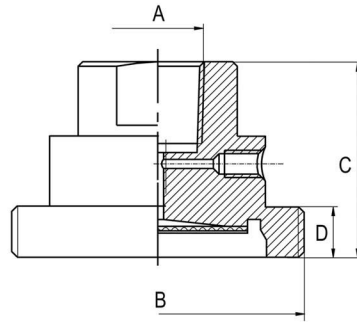
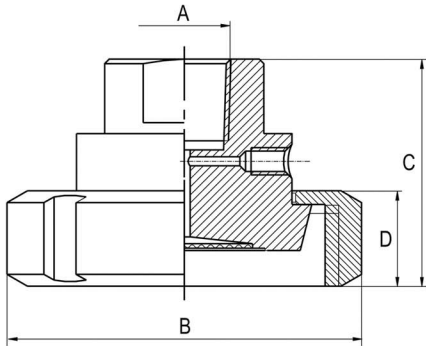
Body: SS 316, SS304

Instrument connection: SS 316, SS316L

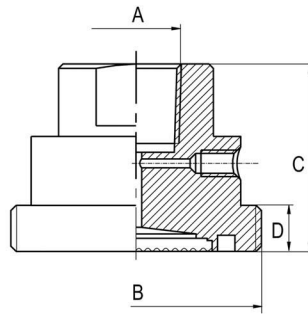
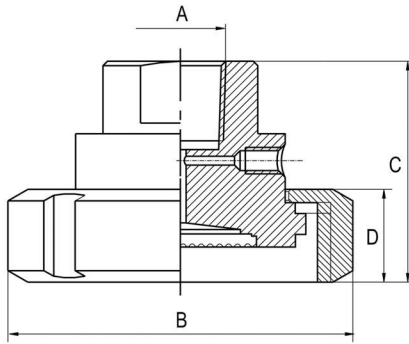
Union nut: SS 316



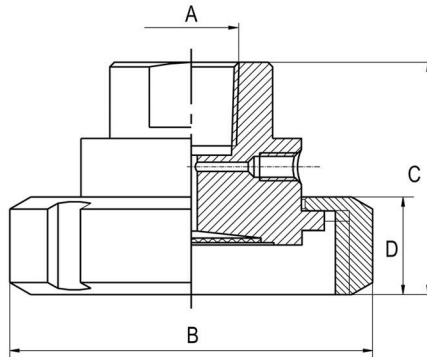
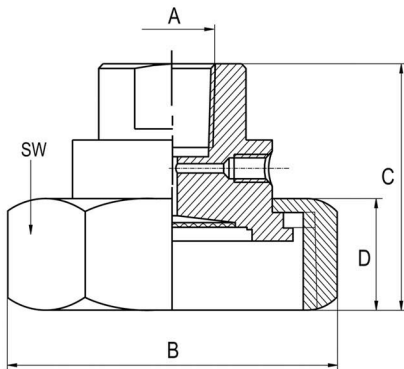
## DIMENSION:



Model	DN (mm)	A	B	C	D	Weight
DCS 311 (DIN 11851)	DN25	G $\frac{1}{2}$	61	50	21	0.48
	DN32	G $\frac{1}{2}$	68	50	21	0.58
	DN40	G $\frac{1}{2}$	76	50	21	0.65
	DN50	G $\frac{1}{2}$	90	50	22	0.97
DCS 311 (DIN 11851)	DN32	G $\frac{1}{2}$	58 x 1/6	50	14	0.52
	DN40	G $\frac{1}{2}$	65 x 1/6	50	14	0.62
	DN50	G $\frac{1}{2}$	78 x 1/6	50	50	0.93



Model	DN (mm)	A	B	C	D	Weight
DCS 311 (SMS 1145)	1"	G $\frac{1}{2}$	50	50	25	0.25
	1½"	G $\frac{1}{2}$	72	50	25	0.80
	2"	G $\frac{1}{2}$	82	50	26	0.98
DCS 311 (SMS 1145)	1½"	G $\frac{1}{2}$	60 x 1/6	50	15	0.76
	2"	G $\frac{1}{2}$	70 x 1/6	50	15	0.92



Model	DN (mm)	A	B	C	D	Weight
DCS 311 (APV-RJT)	1½"	G $\frac{1}{2}$	68	55	20	0.70
	2"	G $\frac{1}{2}$	82	56	22	0.92
DCS 311 (IDF)	1½"	G $\frac{1}{2}$	65	50	28	0.65
	2"	G $\frac{1}{2}$	76	50	29	1.08