

## 1210B SERIES STANDARD LIQUID FILLABLE GAUGE WITH BAYONET RING MODEL:1210B



### Applications:

1210B series pressure gauge is for industrial applications where the media or the environment contains chemically aggressive substances. The gauge is filled with liquid for dampen mechanical vibrations.

### Specifications:

Nominal sizes: 2.5"

### Connection:

BSP 1/4" for 2.5"

### Scale Range, according to EN 837-1/5

Pressure ranges: 0 to 0.6/1/1.6/2.5/4/6/10/16/25/40/60/100/160/250/400/600/1000 bar

Vacuum range: -1 to 0 bar

Compound pressure: -1 to 0.6/1.5/3/5/9/15/24 bar

### Pressure Limitation:

Steady: full scale value

Fluctuation: 0.9 x full scale value

Short time: 1.3 x full scale value

### Operating Temperature:

Ambient: -40°C to 60°C, medium: 200°C maximum

### Material Specification:

Case : 304 stainless steel case and bayonet ring Window: PC with red maximum pointer

Wetted parts: Copper alloy bourdon tube and connection, TIG welding between case and connection Pointer: Black alu pointer

Movement: Brass

Standard filling: glycerin

**Options:**

NPT, BSPT or other process connection

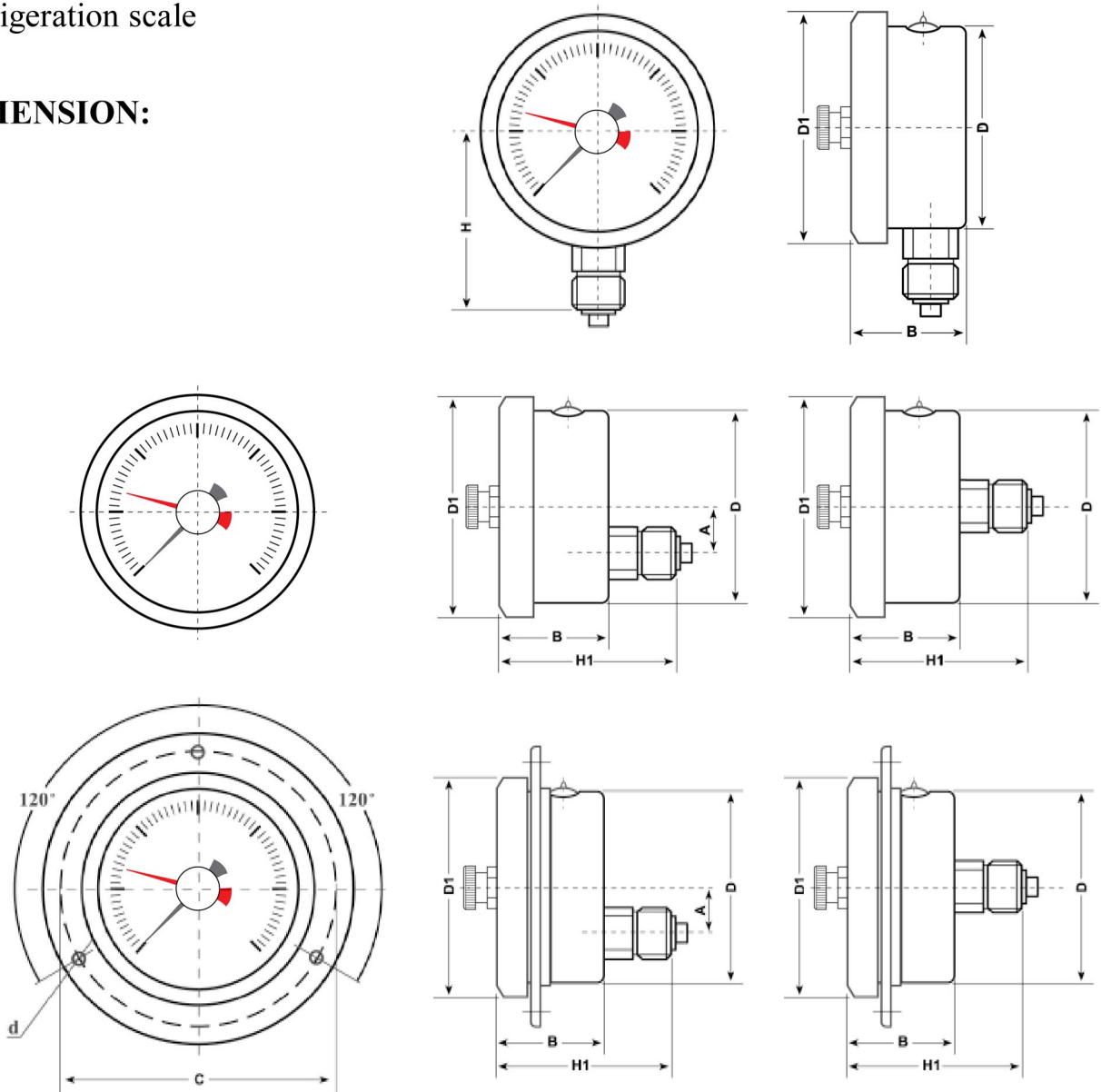
Restrictor

Double dial range or other dial ranges

Silicone oil filling

Refrigeration scale

**DIMENSION:**



DIAL SIZE	D	D1	B	H	A	H1	C	d
2.5"	Ø62	Ø69	30	55	--	54	Ø74	Ø3.5
4"	Ø99	Ø109	48	91	28	85	Ø118	Ø5

dimensions are approximate and can be changed without prior notice