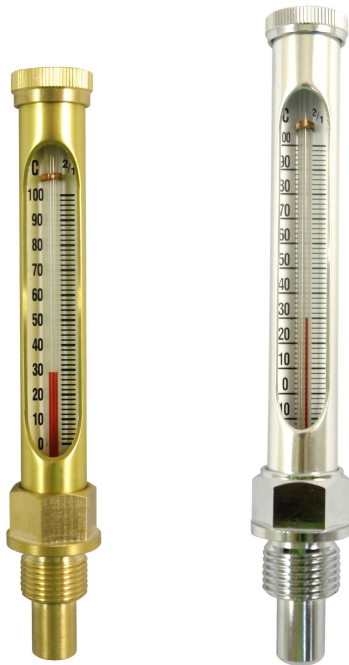


## Inner scale round glass thermometer with aluminum protective case Model: 2109

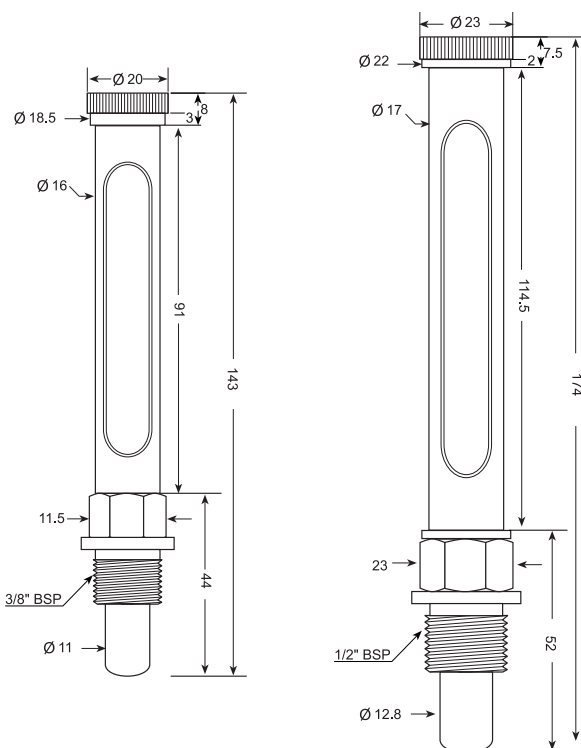


### Applications:

- Model 2109 is designed to measure the temperature of heating, ventilation, air conditioning and cooling system, water pipeline etc.

### Special feature:

Inner scale design for reliable use and easy reading  
 Aluminum case, golden or silver anodizing finish  
 Nice looking, economic design



### Specifications:

Casing: Aluminum, golden (A) or silver anodizing finish  
 (B)  
 Diameter: 16 or 17  
 Body length: 99 or 122  
 Cover: Brass polish finish or chrome plated  
 Stem: Brass polish or chrome plated  
 Stem size: 11x 44 or 12.8x 52  
 Thread: 3/8" BSP or 1/2" BSP including thread  
 Range: 0-100 deg C or -10+100 deg C  
 Accuracy: +/- 1 division  
 Straight form