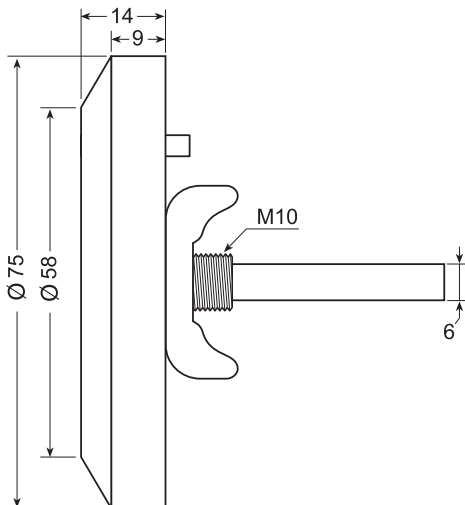
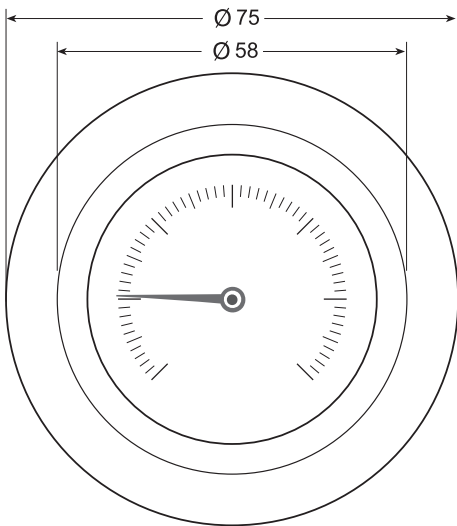


# BBQ-GRILL THERMOMETER

Model: 2368



## Applications:

Model 2368 has a fast response and a simple way to measure the temperature when cooking.

## Specification:

Dial size: 75mm

Case: stainless steel

Window: glass

Bulb: stainless steel, length: 25.5mm, dia:6mm

Connection: center back, M10x1, with swing nut

Dial: aluminum

Pointer: aluminum

Temperature sensor: bimetal coil

Range: 140 deg F- 800 deg F

Accuracy: 2%