

3308 Intelligent Pressure Transmitter



Introduction:

3308 series intelligent pressure transmitter take international advanced piezoresistive sensor technology and use all stainless steel case. The signal converted to standard industrial signal output after background processing and circuit processing

All stainless steel case with high light LED display 330°C rotating displayer can reach best observing angle under different installing ways

Features and Application:

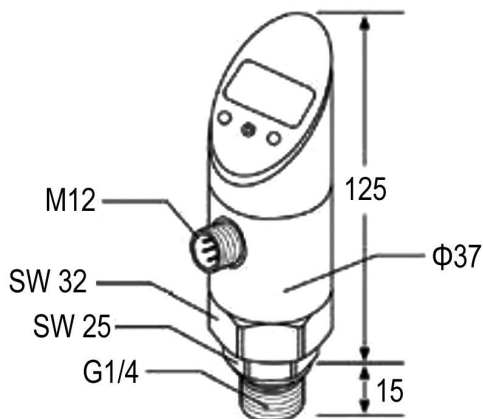
Endure for high pressure

Testing range from 0-1bar to 0-600bar

All stainless steel case, 4 digits LED display

330°C rotating displayer

Apply to pump,compressor,pneumatic,hydraulic,machine tool,machine manufacturing,vacuum technology etc



Specification:

Range: -1-0-1000bar

Output signal: 4-20mA, switching value output

Comprehensive accuracy: 0.25%; 0.5%FS; 1.0%FS

Over pressure: 1.5 X FS

Repeatability: 0.3%FS

Power supply: 12-36V

Working temperature: -20-100°C

Compensated temperature: -10-75°C

Material of medium: stainless steel

Electrical connection: M12x1.0

Pressure connection: G1/2, G1/4, M20, 1.5 or customization